

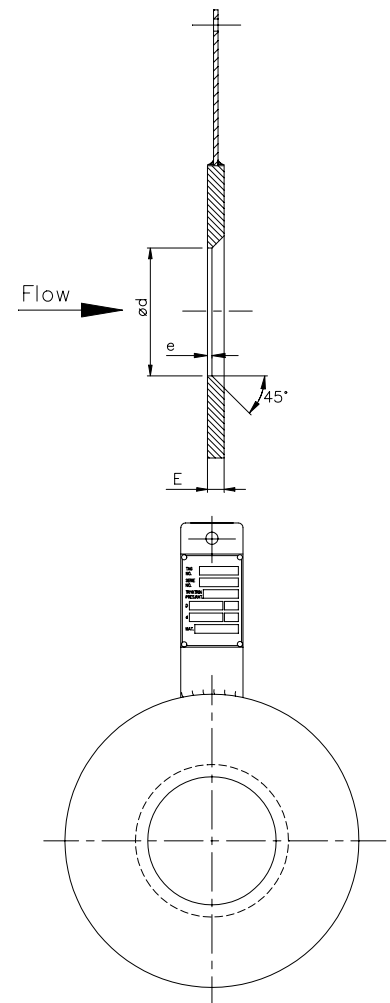
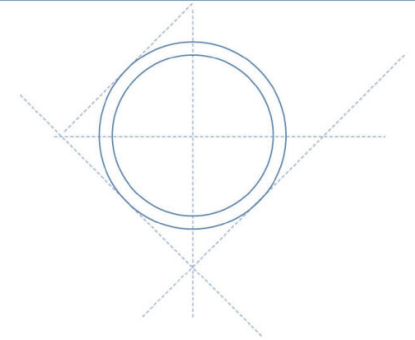
EMCO Orifice Plates Series ISB/1 for RF Flanges

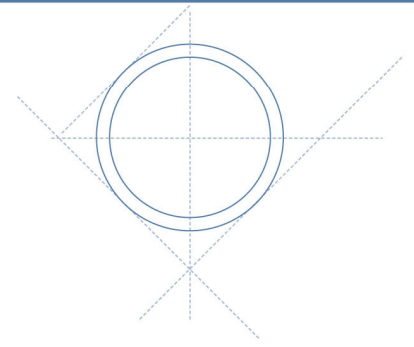
Principle

EMCO orifice plates are used as primary elements in flow measurement of liquid, gas and steam according to the differential pressure principle.

Construction

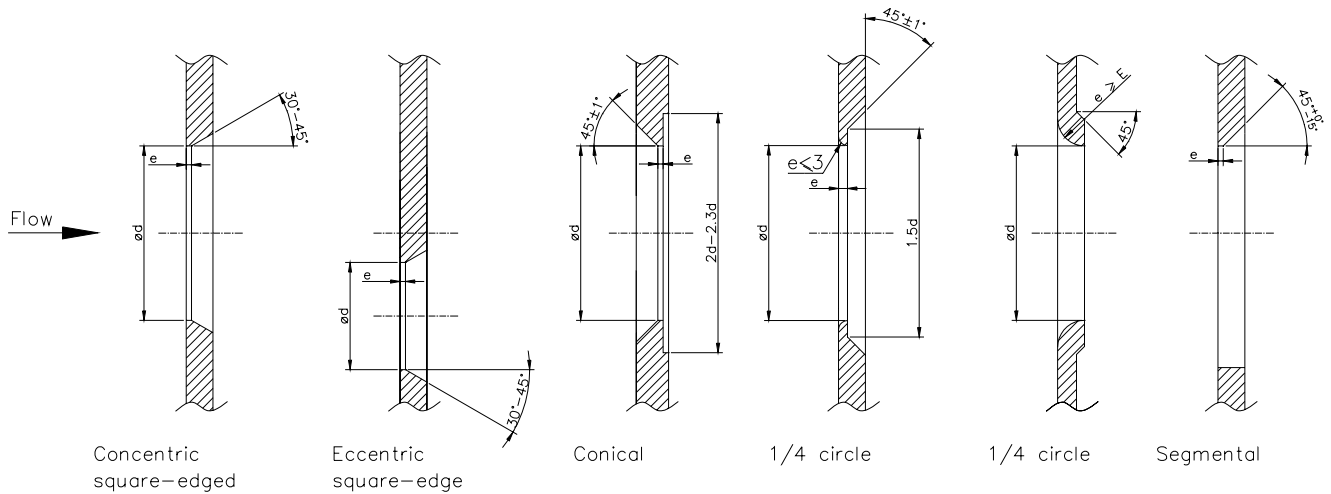
Design and calculation standards	: ISO 5167, ASME MFC-3M, ISA RP 3.2, Shell Flow Meter Engineering Handbook, L. K. Spink, AGA no. 3
Sizes	: 1" - 24" according to ANSI B 16.36, 50 mm < D < 1000 mm according to ISO 5167 and 50 mm < D < 900 mm according to ASME MFC-3M.
Pressure rating	: 300 - 2500 lbs RF
Plate thickness	: 3 - 16 mm depending on plate size
Bore (d)	: $d > 12,5$ mm
β (d/D)	: $0,2 < \beta < 0,75$
Material	: AISI 316, Monel, 6Mo and others on request
Vent or drain hole	: On request





Mounting style : Between raised face flanges according To ANSI B16.36 or DIN 19214, other standards on request.

Orifice plate shapes : Square edge concentric, square edge eccentric, conical, 1/4 circle, segment.



Handle : With name plate in AISI 316 with the following inscription : TAG no., serial no., pressure rating, inner pipe diameter., bore, material.

Technical Data

Accuracy : +/- 0,6 % for $\beta < 0,6$ and equal to β for β values above 0,6

Pressure loss : Depending on β , for β equal to 0,6 : ca. 60 % of the differential pressure measured

Limits for Reynolds No : $Re > 1260 \times \beta^2 D$ according to ISO 5167
 $2000 < Re < 10^8$ according to ASME MFC-3M