

EMCO Thermowell Type VSA for Sandwich Mounting between Flanges

Principle

EMCO thermowell type VSA, known as Van Stone type, is used for mechanical and corrosive protection of temperature sensing instruments such as bimetal thermometers, thermocouples, and RTD's with a maximum outer diameter of 6.4 and 9.5 mm (1/4" and 3/8").

The thermowell is sandwiched between a loose lap joint flange and the flanged nozzle (boss) on the process equipment.

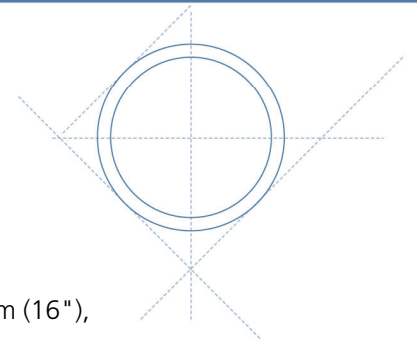
Construction

EMCO thermowells type VSA are designed and manufactured according to I.S.A. recommendations.

Material	: AISI 316, 22Cr Duplex, 25Cr Duplex, Monel, 6Mo, Titanium, Hastelloy, and other exotic materials on request
Connection	: Between ANSI/ASME flanges
Size	: 1", 1 1/2", 2"
Pressure rating	: 150 lbs - 2500 lbs
Flange facing	: RF with stock or smooth finish or RTJ
Bore	: 7, 10 mm (0.276", 0.394")
Well form	: Straight, stepped straight, taper
Tip thickness	: 6.4 mm (0.25")
Instrument connection	: 1/2" NPSM. This thread accepts both NPT and NPS external threads
Accessories	: Plug and chain Lap joint flange. Pt 100 and thermocouple temperature sensors Bimetal thermometers
Surface treatment	: The wetted part of the thermowell can be plated with highly corrosion resistant materials including PTFE and Tantalum.
Documentation	: Material certificate according to EN 10204-3.1 Wake frequency calculation according to ASME PTC 19.3. Pressure test. PMI (Positive Material Identification) Tip thickness measurement report



0-10-011-0e

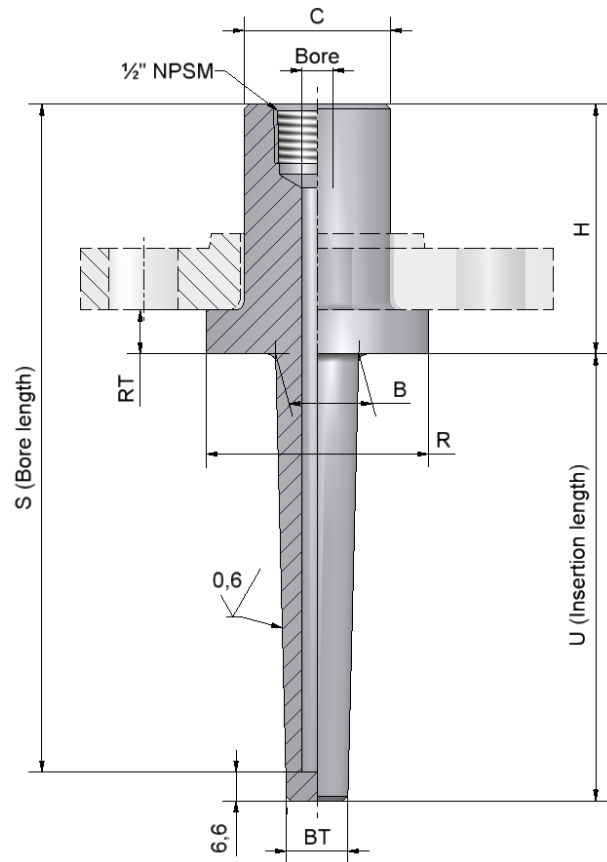
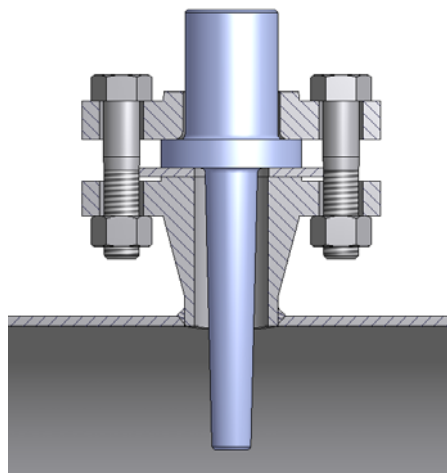


Insertion length (U) :

50,8 mm (2")*, 102 mm (4"), 178 mm (7"), 254 mm (10"), 330 mm (13"), 406 mm (16"), 559 mm (22"), other lengths on request.

* not available in all pressure ratings

Size	Rating	S	R	H	C	RT		B	BT		
						RF	RTJ		VSA-S	VSA-SP	VSA-T
1"	150#	U+50	50,8	57	33,4	10		19	19	14	14
	300#	U+50	50,8	57	33,4	10		19	19	14	14
	600#	U+50	50,8	57	33,4	10	16	19	19	14, 17	14, 17
	1500#	U+50	50,8	57	33,4	10	16	19	19	14, 17	14, 17
	2500#	U+58	50,8	65	33,4	10	16	19	19	14, 17	14, 17
1½"	150#	U+50	73,0	57	48,3	10		22	22	14, 17	14, 17
	300#	U+50	73,0	57	48,3	10		22	22	14, 17	14, 17
	600#	U+50	73,0	57	48,3	10	16	22	22	14, 17	14, 17
	1500#	U+72	73,0	65	48,3	10	16	22	22	14, 17	14, 17
	2500#	U+72	73,0	79	48,3	10	18	22	22	14, 17	14, 17
2"	150#	U+50	92,1	57	60,3	10		25	25	14, 17	14, 17
	300#	U+50	92,1	57	60,3	10		25	25	14, 17	14, 17
	600#	U+50	92,1	57	60,3	10	18	25	25	14, 17	14, 17
	1500#	U+81	92,1	79	60,3	10	18	25	25	14, 17	14, 17
	2500#	U+81	92,1	88	60,3	10	18	25	25	14, 17	14, 17



Coding : VSA-<Type>-<Size>-<Rating and face>-<U>-<Bore>-<Material>-<Accessory>

Example: VSA-T-1-150RF-10-07-316-X for a 1" 150# RF VSA-T in ss316 with insertion length at 10", and bore at 7 mm.